

* Dimensions may vary depending on structural design and size of insulation slab.

All measurements in mm

REFERENCE TEST REPORT N. 2015CS01764 DATED 21 APRIL 2015

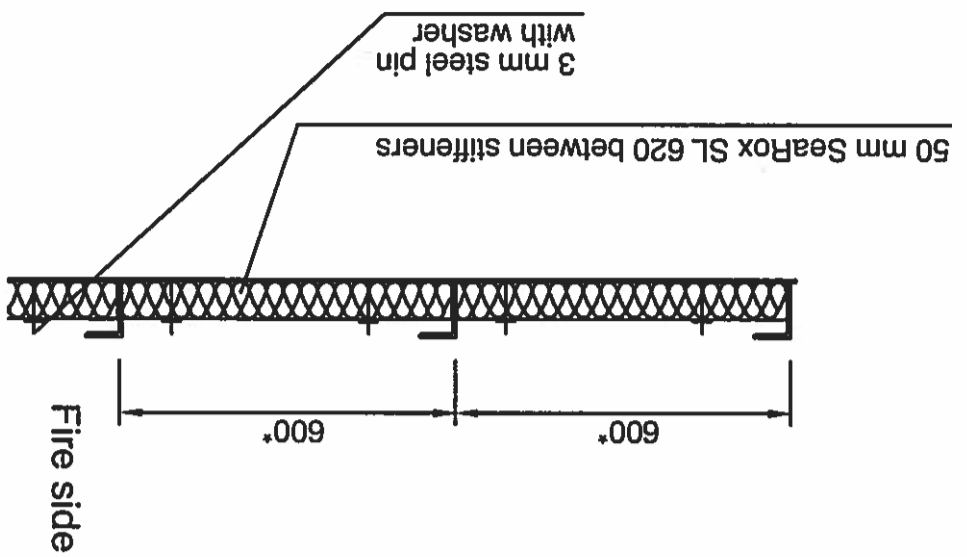
Subject: A-15 Steel Deck SeaRox SL 620

ROCKWOOL®

Date: 2015/05/13

Drawing No. 230-1

TECHNICAL INSULATION



* Dimensions may vary depending on structural design and size of insulation slab.

All measurements in mm

RINA DIREZIONE GENERALE HEAD OFFICE

APPROVATO

In conformità al vigente Regolamento del RINA in conformità con le norme RINA in vigore

LABS - 11105

2-10-08-2015

M. Sinigaglia

RINA S.p.A.

REFERENCE TEST REPORT No. 2015CS04764 DATED 21 APRIL 2015

Subject: A-15 Steel Deck SeaRox SL 620



Date: 2015/06/25

Drawing No. 230-2

TECHNICAL INSULATION