



NIPPON KAIJI KYOKAI

Certificate

Certificate No.
TA17512E(N)

OF

APPROVAL

Item : A-60 Class Deck type II
Product name : SeaRox SL 620 (40mm)
Specifications : See Annex.
Applicant : Rockwool International A/S
Hovedgaden 584, DK-2640 Hedehusene, Denmark
Manufacturer : See Annex.
Testing standard : 2010 FTP Code (IMO Resolution. MSC 307(88))
Annex 1 / Part 3
Test Report : See Annex.

THIS IS TO CERTIFY that the above type of products has been approved by Nippon Kaiji Kyokai with type approval No. 17FPA37DA, and that the products of the above type will be accepted for use onboard ships classed with the Society as complying with the relevant requirements of the Society's *Rules for the Survey and Construction of Steel Ships* and those of the *International Convention for the Safety of Life at Sea, 1974, as amended*, subject to conditional upon the manufacturer having a quality control system audited by a competent authority to ensure continuous compliance with the type approval conditions.

This certificate is valid until 27 June 2022.

Issued at Tokyo on 28 June 2017.

NIPPON KAIJI KYOKAI


H. Kobayashi
General Manager
Material and Equipment Department



Initial approval date: 28 June 2017

NOTE: The design, construction and way of installation subject to attachments. Any significant changes to the product without our approval will result in this certificate becoming null and void.



Manufacturer

Rockwool A/S
Hovedgaden 501, DK-2640 Hedehusene, Denmark

Rockwool B.V.
Industrieweg 15, NL-6045 JG Roermond, Netherlands

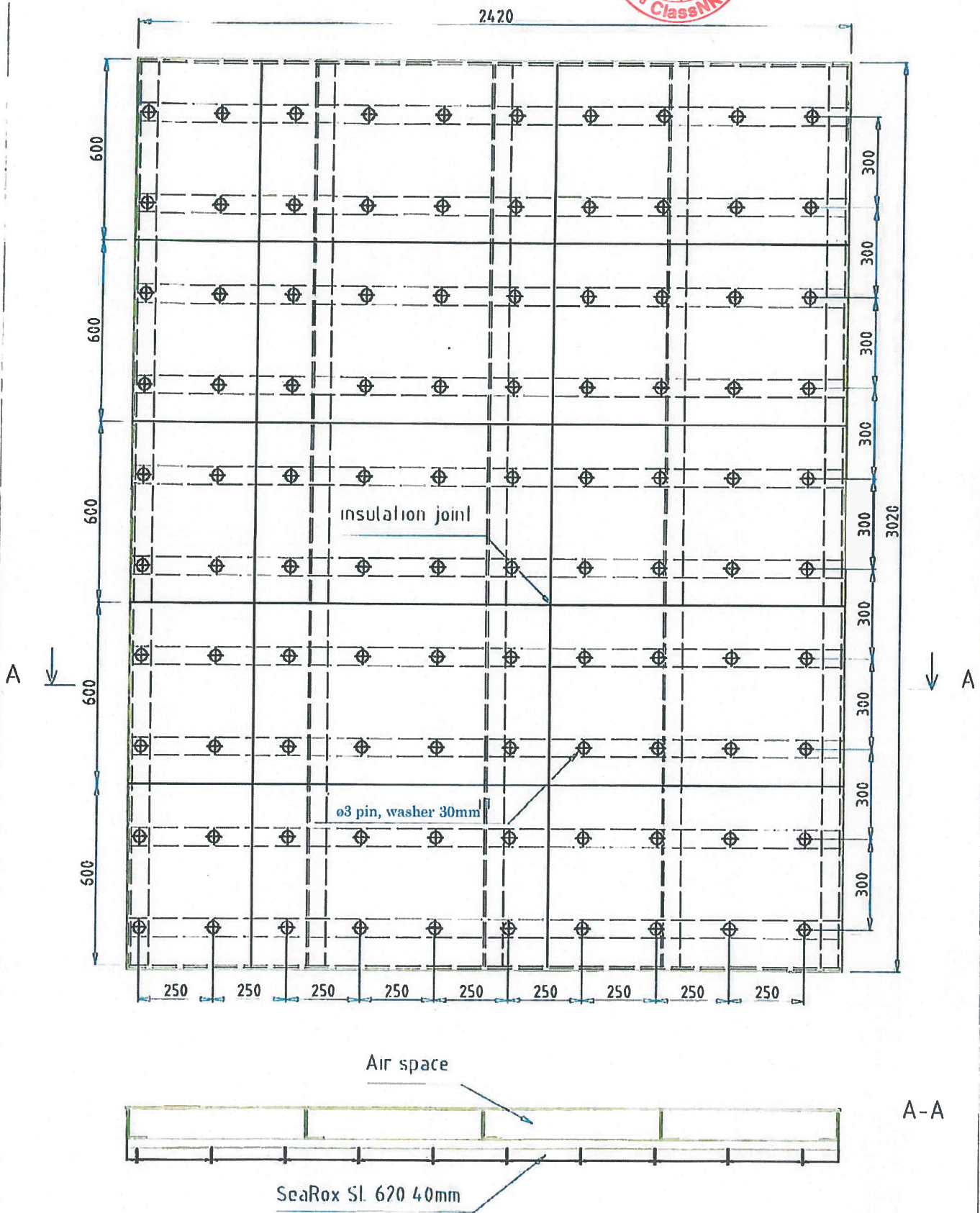
Roxul Rockwool Insulation India Pvt. Ltd.
Plot Z/4, Dahej SEZ, Dahej, District Bharuch
392 130, Gujarat, India

Test Report

Test laboratory : Danish Institute of Fire and Security Technology
Jernholmen 12, DK-2650 Hvidovre, Denmark
Report number : PGA10984A
Date of issue : 18 January 2017

Product Description

The specified thickness of SeaRox SL620 on the level is minimum 40 mm; density range 100-130 kg/m³



subject: A60 Deck SeaRox SL 620 40mm

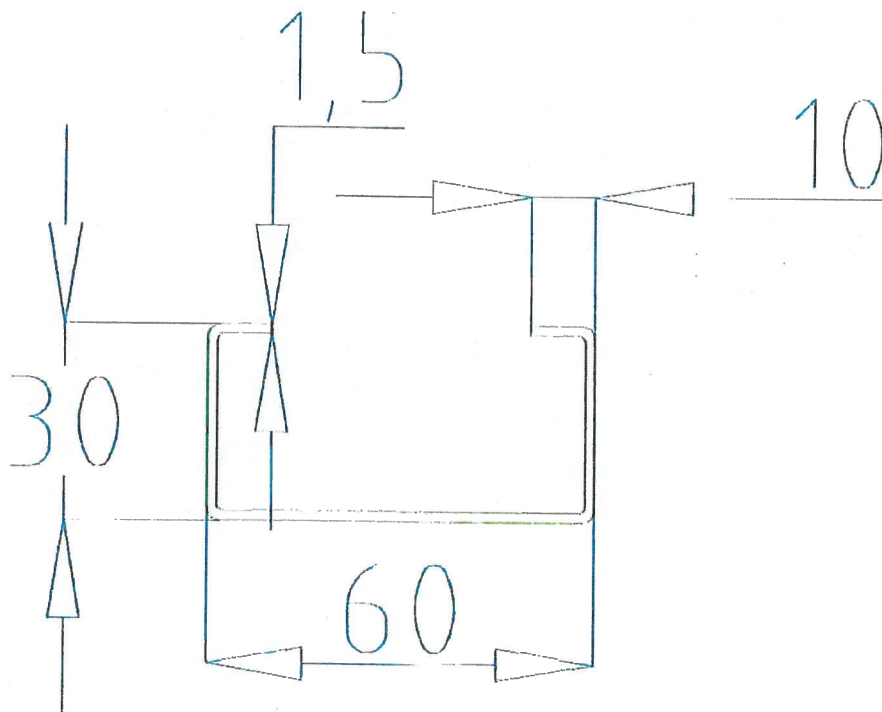
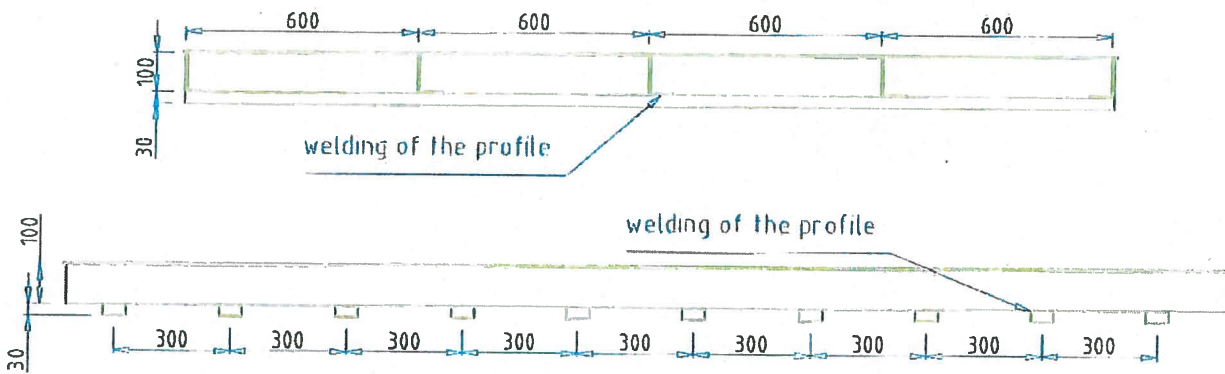
dwg no.: 2017005/1

date: 2017.01.09

designer: DG

ROCKWOOL®

TECHNICAL INSULATION



subject: A60 Deck SeaRox SL 620 40mm

dwg no.: 2017005/2

date: 2017.01.09

designer: DG **ROCKWOOL** TECHNICAL INSULATION