



NIPPON KAIJI KYOKAI

Certificate

Certificate No.
TA17667E(R)

OF

APPROVAL

Item : A-60 class bulkhead
Product name : SeaRox SL 640 (2×30 /30mm)
Specification : See Annex.
Applicant : Rockwool International A/S
Hovedgaden 584, DK-2640 Hedehusene, Denmark
Manufacturer : See Annex.
Testing standard : IMO FTP Code Annex1 / Part 3
Test report : See Annex.

THIS IS TO CERTIFY that the above type of products has been approved by Nippon Kaiji Kyokai with type approval No. 96FPA16DA, and that the products of the above type will be accepted for use onboard ships classed with the Society as complying with the relevant requirements of the Society's *Rules for the Survey and Construction of Steel Ships* and those of the *International Convention for the Safety of Life at Sea, 1974, as amended*, subject to conditional upon the manufacturer having a quality control system audited by a competent authority to ensure continuous compliance with the type approval conditions.

This certificate is valid from until 29 June 2022.
Issued at Tokyo on 28 June 2017.

NIPPON KAIJI KYOKAI

H. Kobayashi
General Manager

Material and Equipment Department



Initial approval date : 25 September 1996

NOTE: The design, construction and way of installation subject to attachments. Any significant changes to the product without our approval will result in this certificate becoming null and void.

Annex to the Certificate No. TA17667E(R)



1. Manufacturer

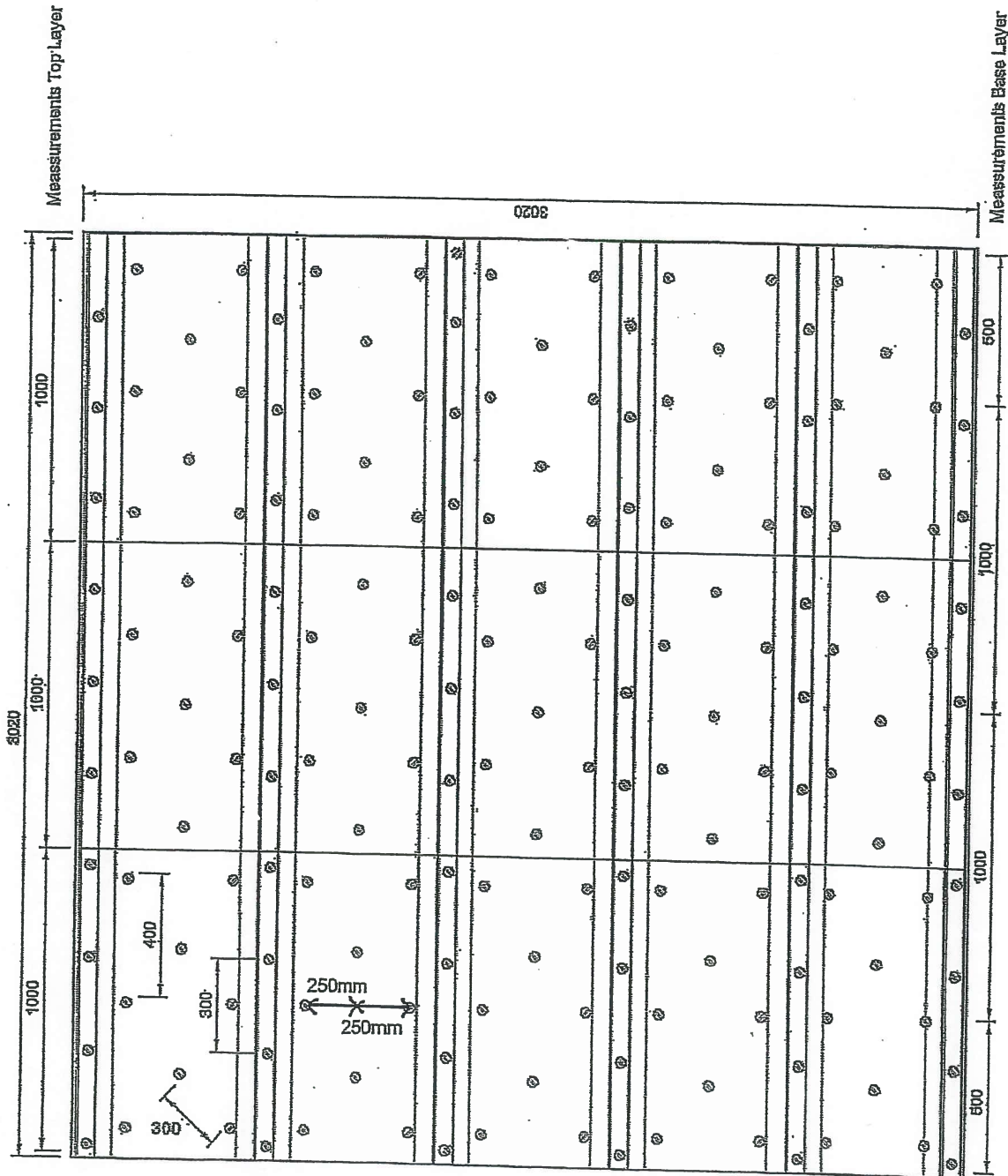
Rockwool A/S
Hovedgaden 501, DK-2640 Hedehusene, Denmark

Rockwool Benelux B.V.
Industrieweg 15 NL-6045 JG Roermond, The Netherlands

Roxul Rockwool Insulation India Pvt. Ltd.
Plot Z/4, Dahej SEZ, Dahej, District Bharuch
392 130, Gujarat, India

2. Test report

Test laboratory : Registro Italiano Navale
Via Corsica 12, Genova, Italy
Report number : 2010CS011159/1
Date of issue : 15 October 2010

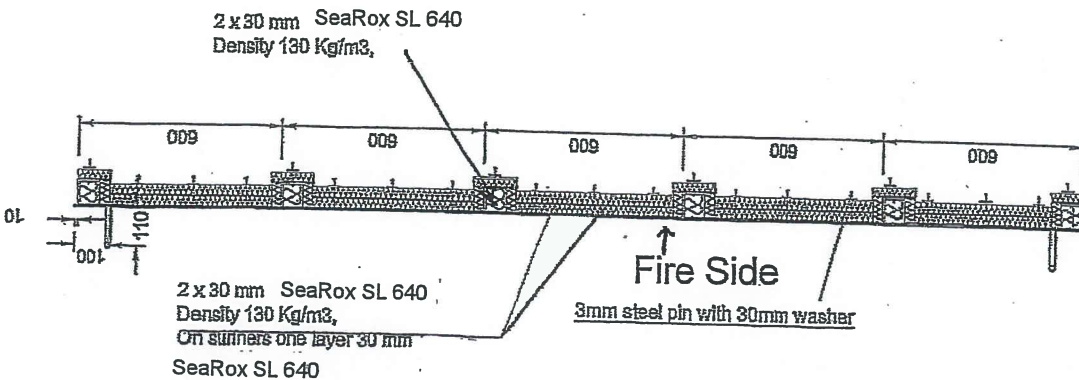


All measurements in mm

ROCKWOOL
FIRE SAFE INSULATION

Subject: A60BHB II (SeaRox SL 640)

Dwg No.: 10 MRJ 03 Scale: 1:20 Rev.: 10/08/11 Designer: KMP



10 MRJ 03